



CONTAINER HEATER

缶ヒーター

It solves your problems on site.
It makes the solvent easier to handle by directly heating the can.

Type K

Drum container
Pail container
5 gallon square container

RoHS2
Compliance

Features

- Easy detachable without applying force and easy carrying.
- Can be used all the year round regardless of any industry.
- Anyone can use with a temperature control function.
- Excellent flexibility and durability.



Pail container



5 gallon square container

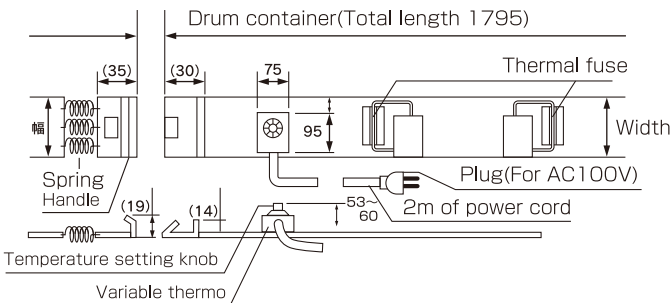


Drum container

※Picture shows two can heaters attached.



Simple installation.



Product code	K-11W-PSE	K-21W-PSE
Adaptive can	Heater for pail container	Drum container
Adaptive can size for above	18ℓ・20ℓ Pail container (Φ286)	200ℓ Drum container (Φ567)
Voltage	100V	100V
Capacity	380W	900W
Width x total length	200×915	200×1795
Temperature setting	30~80℃	30~80℃
Power cord	2m(With plug)	2m(With plug)
Mass	Approximately 1.1 kg	Approximately 1.4 kg
Compatible with detachable insulation jacket	○	○

Two thermal fuses are built in all. Dimensions other than above are also available.



株式会社スリーハイ
THREE HIGH CO.,LTD.

Web: www.threehigh.jp/en/
Mail: info_overseas@threehigh.co.jp

Headquarters/Factory

4-42-16 Higashiyamata, Tsuzuki Ward, Yokohama City, Kanagawa 224-0023 JAPAN
TEL: +81-45-590-5561 FAX: +81-45-590-5571





CONTAINER HEATER

缶ヒーター



※The jackets for the drum containers are in a set of three.
 ※The picture above shows examples of attaching pail container(left), and drum container(right)
 ※The heater is sold separately.

Type K

Drum container
 Pail container
 5 gallon square container

RoHS2
 Compliance

Satisfaction guaranteed!

Detachable insulation jacket

Prevents radiation and increases heat retention effect!
 It is also ideal for preventing burns.

Product code	K-PDAN	K-JDAN
Adaptive can	Heater for pail container	Drum container
Adaptive can size for above	18ℓ・20ℓ Pail container (Φ286)	200ℓ Drum container (Φ567)
Weight	624g	3100g
Width × total length	200×930	200×1800



With jacket
 ※The picture shows an example of mounting on a pail container.

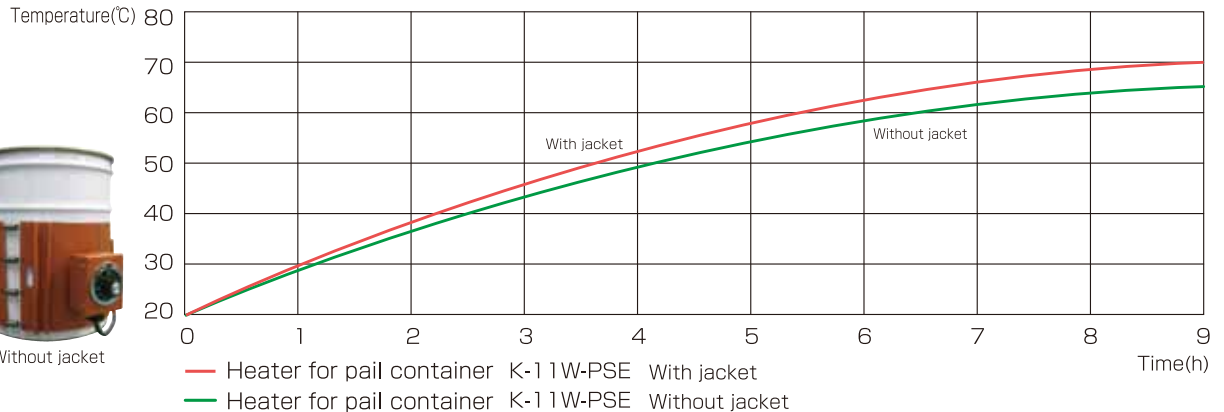


Without jacket

Temperature rising characteristic Heater for pail container (The container has a lid.)

At room temperature 20° C, in a windless environment
 Heat up 18 liters water of its temperature 20°C.

Measured in maximum scale



— Heater for pail container K-11W-PSE With jacket
 — Heater for pail container K-11W-PSE Without jacket



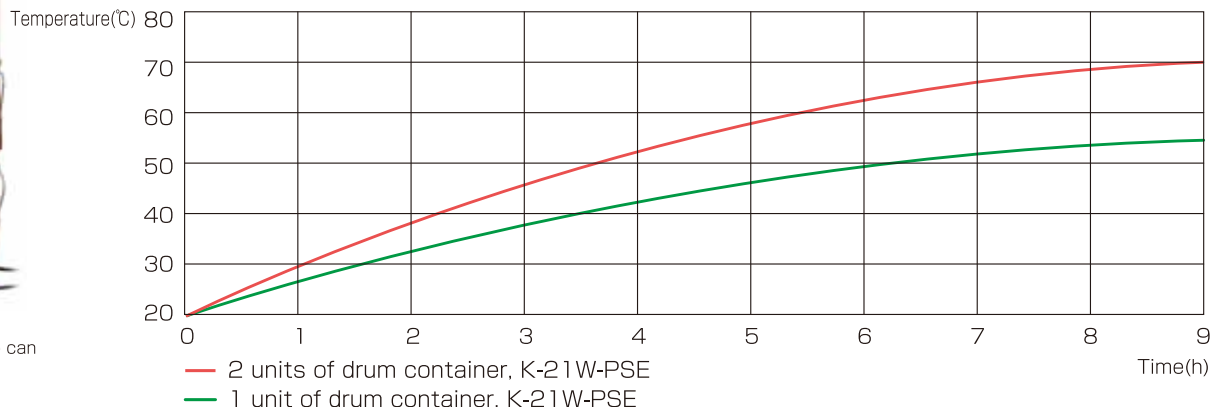
Without jacket

※The picture shows two can heaters attached.

Temperature rising characteristic Heater for Drum container (The container has a lid.)

At room temperature 20° C, in a windless environment
 Heat up 200 liters water of its temperature 20°C.

Measured in maximum scale



— 2 units of drum container, K-21W-PSE
 — 1 unit of drum container, K-21W-PSE

Safety Precautions



●This heater is for indoor use. ●Keep the ambient temperature of the heater below 70°C. ●Lead wire deterioration, disconnection, or electric leakage may occur. ●Do not pull the power cable forcefully. ●It may result disconnecting the cable or damaging the temperature controller. ●Never touch the heater surface after starting the heating. It may cause burns. ●The heater is not waterproof. Avoid using the product in an environment where water, oil, solvents, etc. can scatter. ●This heater does not have a forced OFF function. Be sure to disconnect the power cable from the power source when it is not used. ●To use the product safely, be sure to read the instruction manual thoroughly before use. ●This heater is not explosion-proof.



株式会社スリーハイ

THREE HIGH CO.,LTD.

Web: www.threehigh.jp/en/

Mail: info_overseas@threehigh.co.jp

Headquarters/Factory

4-42-16 Higashiyamata, Tsuzuki Ward, Yokohama City, Kanagawa 224-0023 JAPAN
 TEL: +81-45-590-5561 FAX: +81-45-590-5571

