



CONTAINER HEATER

缶ヒーター

It solves your problems on site.
It makes the solvent easier to handle by directly heating the can.

Type K

Drum container
Pail container
5 gallon square container

RoHS2
Compliance

Features

- Easy detachable without applying force and easy carrying.
- Can be used all the year round regardless of any industry.
- Anyone can use with a temperature control function.
- Excellent flexibility and durability.



Pail container



5 gallon square container

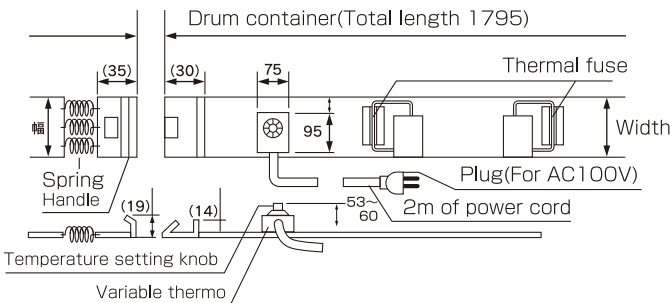


Drum container

※Picture shows two can heaters attached.



Simple installation.



Product code	K-11W-PSE	K-21W-PSE
Adaptive can	Heater for pail container	Drum container
Adaptive can size for above	18ℓ・20ℓ Pail container (Φ286)	200ℓ Drum container (Φ567)
Voltage	100V	100V
Capacity	380W	900W
Width x total length	200×915	200×1795
Temperature setting	30~80℃	30~80℃
Power cord	2m(With plug)	2m(With plug)
Mass	Approximately 1.1 kg	Approximately 1.4 kg
Compatible with detachable insulation jacket	○	○

Two thermal fuses are built in all. Dimensions other than above are also available.



株式会社スリーハイ
THREE HIGH CO.,LTD.

Web: www.threehigh.com

Mail: info_overseas@threehigh.co.jp

Headquarters/Factory

4-42-16 Higashiyamata, Tsuzuki Ward, Yokohama City, Kanagawa 224-0023 JAPAN
TEL: +81-45-590-5561 FAX: +81-45-590-5571





CONTAINER HEATER

缶ヒーター



Detachable with Velcro tape.

Type K

Drum container
Pail container
5 gallon square container

RoHS2
Compliance

Satisfaction guaranteed!

Detachable insulation jacket

Prevents radiation and increases heat retention effect!
It is also ideal for preventing burns.

※The jackets for the drum containers are in a set of three.
※The picture above shows examples of attaching pail container(left), and drum container(right)
※The heater is sold separately.

Product code	K-PDAN	K-JDAN
Adaptive can	Heater for pail container	Drum container
Adaptive can size for above	18ℓ・20ℓ Pail container (Φ286)	200ℓ Drum container (Φ567)
Weight	624g	3100g
Width × total length	200×930	200×1800



With jacket

※The picture shows an example of mounting on a pail container.

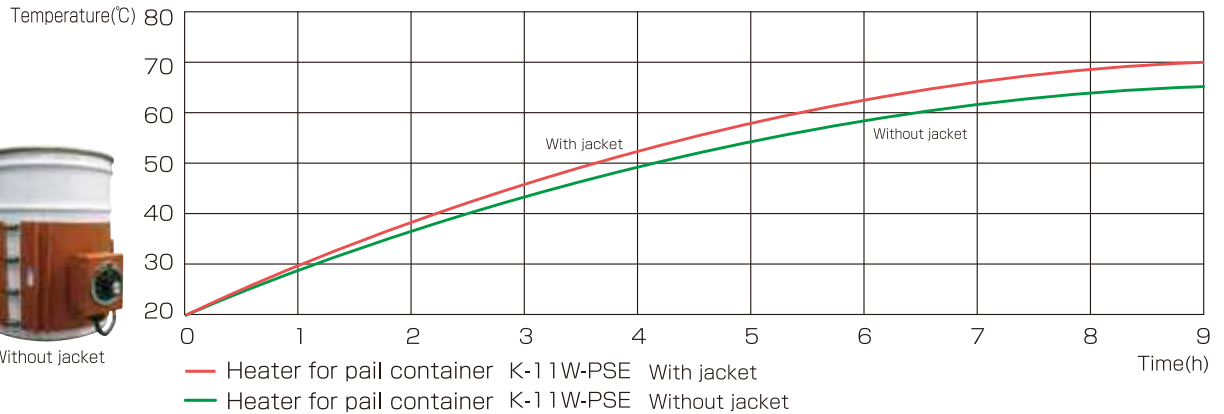


Without jacket

Temperature rising characteristic Heater for pail container (The container has a lid.)

At room temperature 20° C, in a windless environment
Heat up 18 liters water of its temperature 20°C.

Measured in maximum scale



— Heater for pail container K-11W-PSE With jacket
— Heater for pail container K-11W-PSE Without jacket



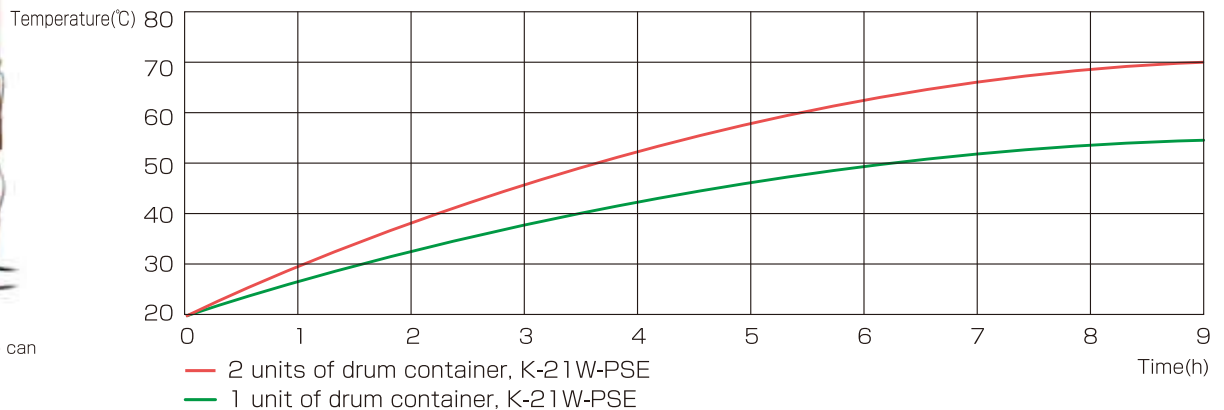
Without jacket

※The picture shows two can heaters attached.

Temperature rising characteristic Heater for Drum container (The container has a lid.)

At room temperature 20° C, in a windless environment
Heat up 200 liters water of its temperature 20°C.

Measured in maximum scale



— 2 units of drum container, K-21W-PSE
— 1 unit of drum container, K-21W-PSE

Safety Precautions



- This heater is for indoor use.
- Keep the ambient temperature of the heater below 70°C.
- Lead wire deterioration, disconnection, or electric leakage may occur.
- Do not pull the power cable forcefully.
- It may result disconnecting the cable or damaging the temperature controller.
- Never touch the heater surface after starting the heating. It may cause burns.
- The heater is not waterproof. Avoid using the product in an environment where water, oil, solvents, etc. can scatter.
- This heater does not have a forced OFF function. Be sure to disconnect the power cable from the power source when it is not used.
- To use the product safely, be sure to read the instruction manual thoroughly before use.
- This heater is not explosion-proof.



株式会社スリーハイ
THREE HIGH CO.,LTD.

Web: www.threehigh.com
Mail: info_overseas@threehigh.co.jp

Headquarters/Factory

4-42-16 Higashiyamata, Tsuzuki Ward, Yokohama City, Kanagawa 224-0023 JAPAN
TEL: +81-45-590-5561 FAX: +81-45-590-5571

